

## Applications:

ZLight cabinet white LED modules are designed for sign boxes from 3" to 18" can depth. With revolutionary high power LEDs, you can achieve tremendously money-saving advantages over traditional fluorescent tubes. The optimum lens covering LEDs create an impressively even light coverage of the sign face.

## Features

### LEDs:

- Super Bright LEDs
- L70 Rating 50,000 hours

### Power Input:

- Input Voltage: 12 VDC

### System:

- 2 modules per foot
- 50 modules per bag, 10 bags per carton
- Peel-N-Stick and mechanical fastening
- Water-proof, IP 68
- UL and cUL Recognized/SAM Listed
- Warranty: 5 Years

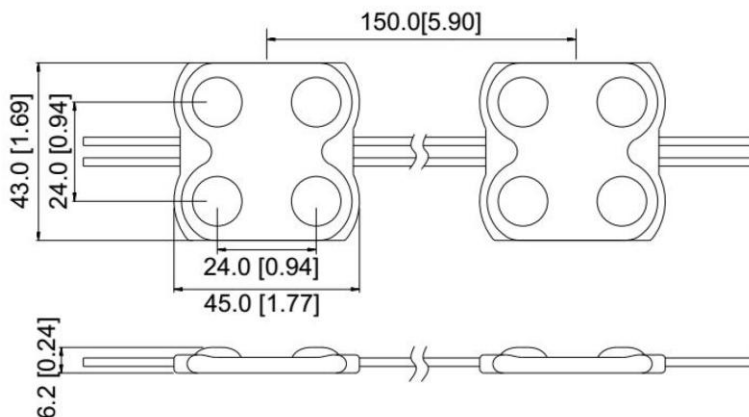


## Detail Specifications

Model	Voltage (VDC)	Power (W)	Number of LEDs	Module / FT	Color	Brightness		View Angle
						lm/module	lm/ft	
Z-ULTRA2-Box	12	1.6	4	2	White (6700K)	160	320	170

### Module Spacing

Distance From Face	12" - 18"	10" - 12"	8" - 10"	6" - 8"	4" - 6"	3" - 4"	2" - 3"
Spacing Row to Row	24"	22" - 24"	20" - 22"	18" - 20"	12" - 18"	8" - 12"	6" - 8"



Unit: mm [inches]