



Model Number:

ZL-CaL-130W-50K

Light Emitting Diodes (LEDs) :

LumiLEDs SMD, LM80

Electrical System :

Input Voltage: 120V AC – 277 V AC
130W Equivalent to up to 320 W HID

Construction:

Aluminum heat sink
White finish

Optical system:

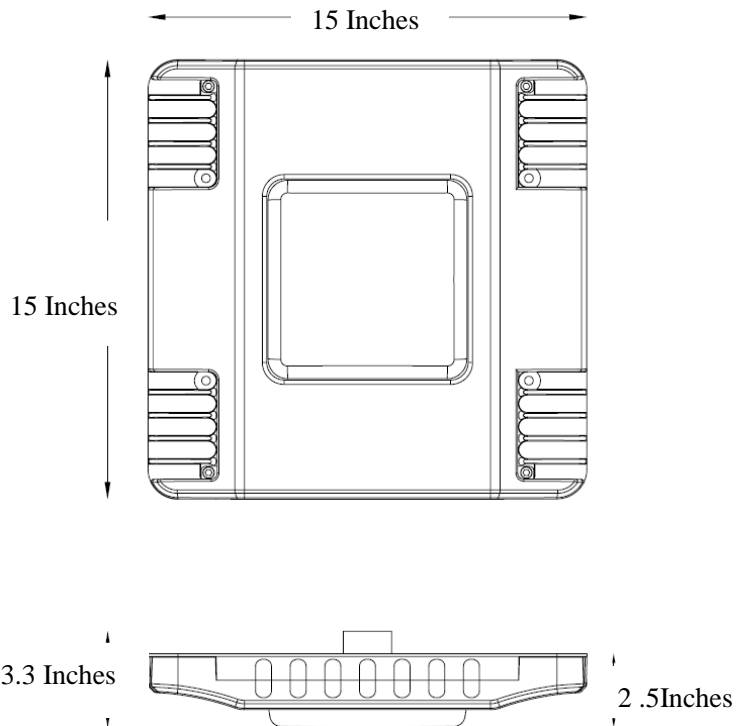
100 Degree View Angle
14000 Lumen Output
5000 K Color Temperature
CRI 80

Regulation Rating:

UL and DLC

Warranty:

5 Years



Basic Parameters

	Size	Weight	Working temp.	Storage temp.	Lifetime	Quantity
Unit	Inches	LB	°F	°F	Hours	PCs per Box
Data	15" X 15" X 3"	15	-4 ~ 110	-80 ~ 180	50,000	1

All Right Reserved