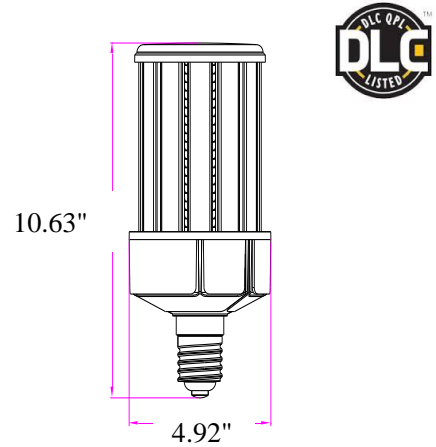


# Data Sheet

## LED Corn Lights



### Parameters

<b>Model</b>	ZL-CL-50K (30K/40K) -80W		
Product Description	80W LED Corn Light		
Wattage Equivalent	250W HID		
Dimension	Φ4.92" x 12.2"		
Color Temperature	3000K	4000K	5000K
Initial Fixture Lumen Output	6200 LM	6400 LM	6400 LM
System Power	80W		
Weight (lbs)	2 lbs		
Input Voltage	120 - 277 VAC		
Compatible with Ballast	No, Must By Pass Ballast and Wire Directly		
Viewing Angles	360 Degree		
CRI	Greater than 80		
Working Temperature	-20 °C -45°C; 20% - 70% RH		
Storage Temperature	-30 °C - 80 °C		
LED life (L70)	50,000 Hours		
Base	E39		
Material	Aluminum Alloy + Plastic		
Protection Rate	IP64		
Safety Rating	UL and DLC		
Warranty	5 Years		

All Rights Reserved