

TECHNICAL DATA SHEET

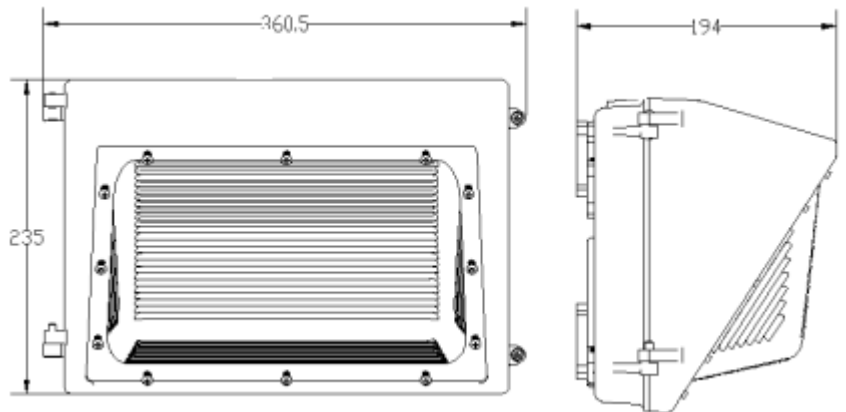


NAME: LED Wall Pack

P/N: ZL-WP-80W-50K

Advantage:

- UL cUL DLC certificate
- IP65 Internal driver, Input voltage 100-277VAC
- No UV or IR in the beam
- Easy to install and operate
- Energy saving, long lifespan
- Light is soft and uniform, safe to eyes
- Instant start, NO flickering, NO humming
- Green and eco-friendly without mercury.



Application:

- ◆ entrance lighting, courtyard lighting
- ◆ Industrial lighting, Outdoor landscape lighting;
- ◆ Buildings
- ◆ Wall lighting area and so on.

TECHNICAL DATA SHEET

Product Specifications

Product name	LED Wall Pack
Part No	ZL-WP-80W-50K
Dimension	360.5*235*194mm

Technical Characteristic

Color temperature	5000K
CRI	>80
Lumen	10000LM
Lumen Efficacy	125LM/W
Input Power	80W
Viewing Angle	110 Degree
Input Voltage	100-277VAC 50/60Hz
PF	>0.9
Waterproof Rating	IP65

Materials

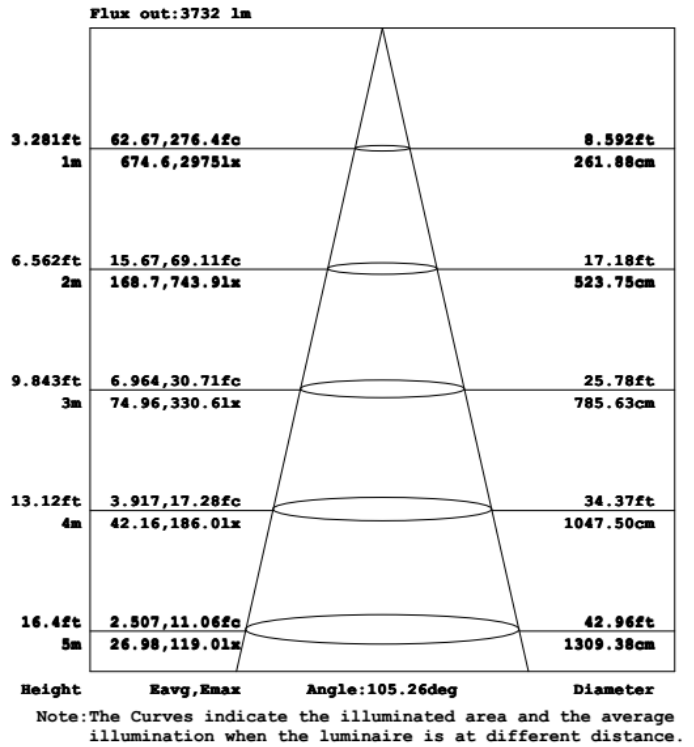
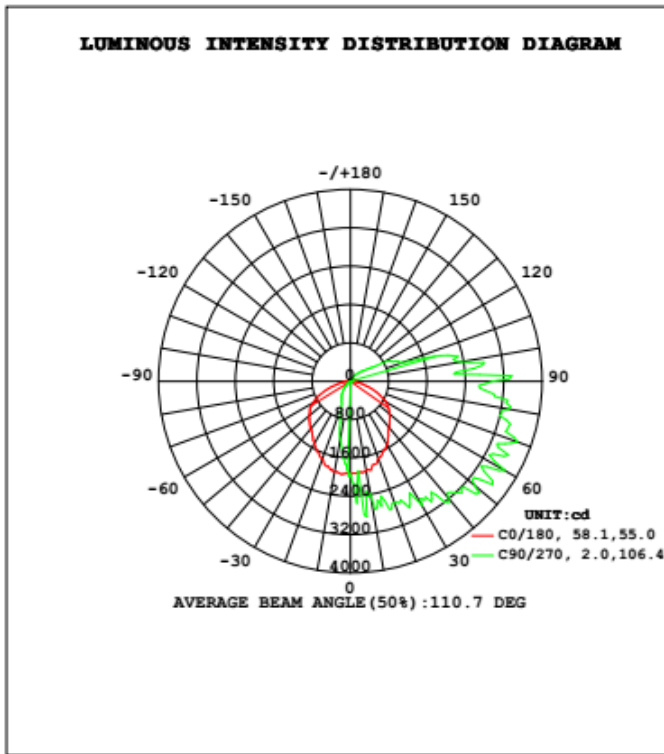
LED Type	2835, 0.5W
LED QTY	270 PCS
Housing	Aluminum(ADC12) +PC
Housing color	Brown

Others

Operating Temperature	-20°C TO 45°C
Operating Humidity	20%-90% RH
Storage Temperature	-30°C TO 80°C
Storage Humidity	10%-95%
Application	Outdoor / Indoor
Safety Certification	UL、cUL、DLC
Warranty Time	5 Years

TECHNICAL DATA SHEET

Light Distribution Testing Parameters



Package

Lamps Net Weight: 3.8 kg / pc

	Size	Qty/ Carton	Weight/ Carton
Cardboard	400*300*245mm	1	4.9 KG

